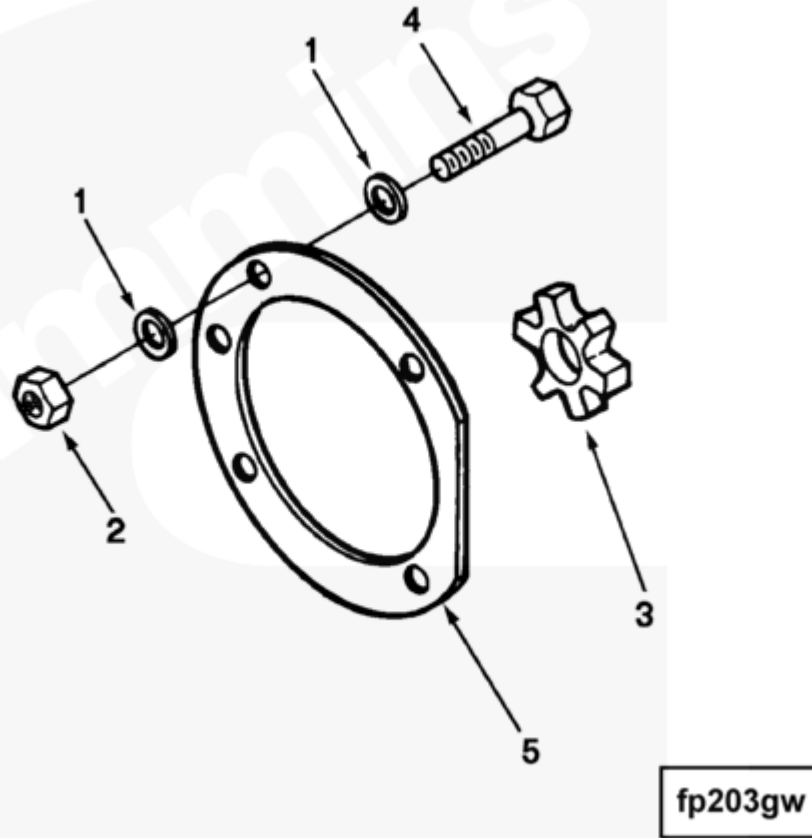




Parts Catalog - Option Detail

Electronic Parts Catalog - Option Detail				
Option	Group	Graphic	Film Card	Date
FP2957-02	05.03	fp203gw	II	18-NOV-99
Engines	ISM CM570, ISM CM570/870, ISM CM875, ISM CM876, ISM CM876 E, ISM11 CM876 M103, ISM11 CM876 SN, M11 CELECT, M11 CELECT PLUS, M11 MECHANICAL, QSM11 CM570, QSM11 CM876			

©Cummins Inc



[SMALL](#) | [MEDIUM](#) | [LARGE](#)

Cart	Ref No	Part Number	Part Description	Required	Remarks
View My Cart					
		FP2957-02	Fuel Pump Coupling		
					Fuel Pump Coupling
					Fuel Pump Type: Celect
					Air Compressor Provision:
					None

<input type="checkbox"/>	1	3009330	Plain Washer	8	M10.
<input type="checkbox"/>	2	3044360	Regular Hexagon Nut	4	M10 x 1.50.
<input type="checkbox"/>	3	3046200	Jaw Coupling Spider	1	
<input type="checkbox"/>	4	3064109	Hexagon Head Cap Screw	4	M10 X 1.50 X 45.
	5	3069103	Fuel Pump Gasket	1	

© 2019 Cummins Inc., Box 3005, Columbus, IN 47202-3005 U.S.A.
 Terms of Use and Disclaimers | Recommended System Requirements
 Need Assistance? Please click on the Contact Us button in the top right corner of any page.